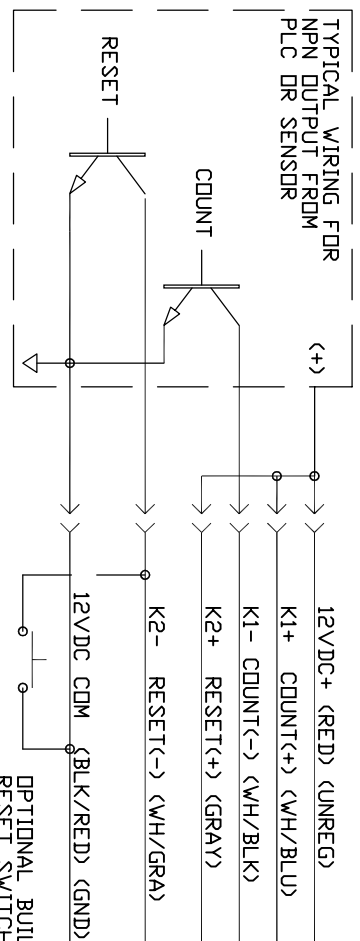


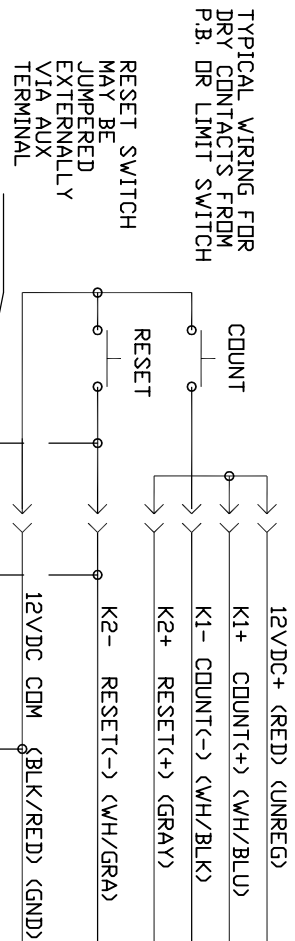
TYPICAL DISPLAYS

DISPLAYS ARE SHOWN WITH 120VAC POWER.



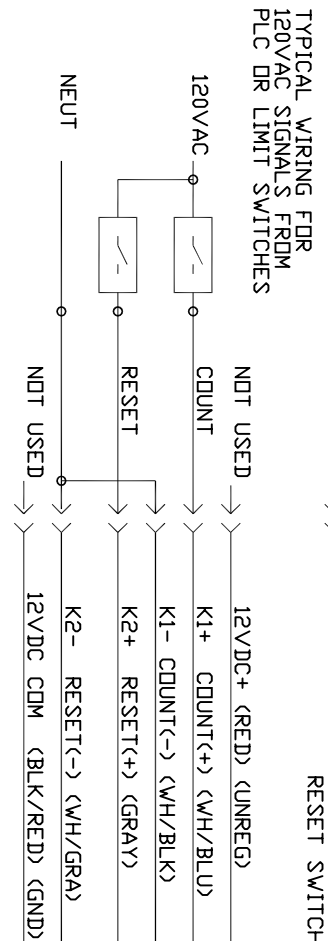
AE SERIES
DISPLAY

BLK 18 AWG. LINE
WH 18 AWG. NEUT
GRN/YEL 18 AWG. GND



AE SERIES
DISPLAY

BLK 18 AWG. LINE
WH 18 AWG. NEUT
GRN/YEL 18 AWG. GND



AE SERIES
DISPLAY

BLK 18 AWG. LINE
WH 18 AWG. NEUT
GRN/YEL 18 AWG. GND

>> THIS SYMBOL IS USED FOR PIGTAIL LEAD WIRES OR TERMINAL BLOCKS

K1 AND K2 INPUTS ARE OPTD ISOLATED INPUTS. SIGNALS RANGING FROM 5VDC TO 120VAC CAN BE APPLIED.

MOST AE SERIES DISPLAYS ARE PROVIDED WITH #18 AWG, PIGTAIL LEAD WIRES FOR ALL EXTERNAL WIRING.

TERMINAL BLOCKS AND CONNECTORS ARE LOCATED INSIDE EACH AE SERIES DEVICE FOR OTHER WIRING OPTIONS.

** WHEN THE OPTIONAL BUILT-IN RESET SWITCH IS ORDERED, IT WILL BE WIRED AS SHOWN. NOT RECOMMENDED FOR 120 VAC SIGNAL APPLICATIONS.

APPROVALS	DATE
DRAWN BY GJB	6/12/01
CHECKED BY	
APPROVED BY	
REVISED BY	

VCAD LTYATS DWGS\AE\OPTIONS\

APPLIED TECHNICAL SYSTEMS
 P.O. BOX 5705
 SHREVEPORT, LA
 71135

PRODUCT	AEXX-373	SCALE	
DESCRIPTION	RUN TIME ACCUMULATOR	JOB #	
	TYPICAL WIRING SCHEMES	SHEET #	
	WIRING DIAGRAM	REVISION	
		FILENAME: 373WD1	
		DRAWING #	