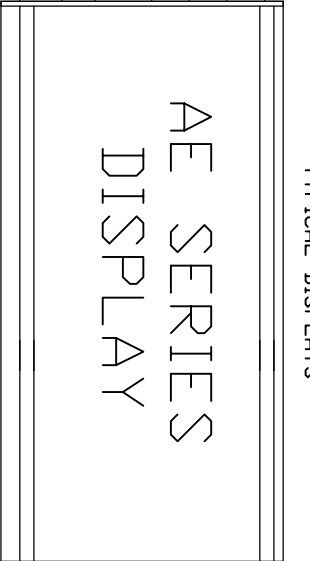
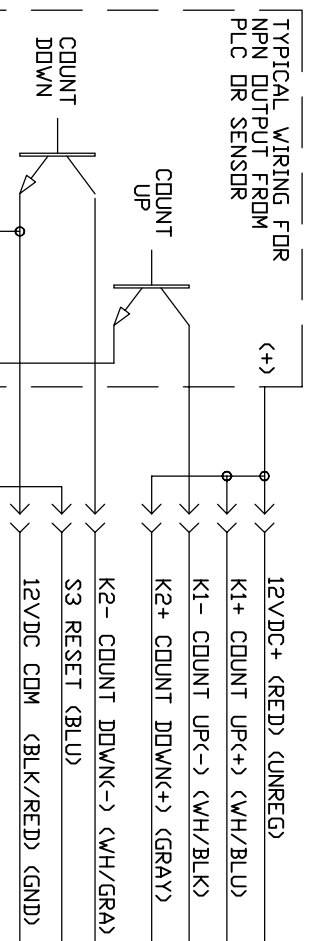


TYPICAL DISPLAYS



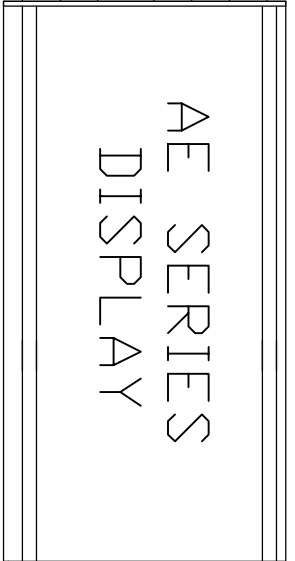
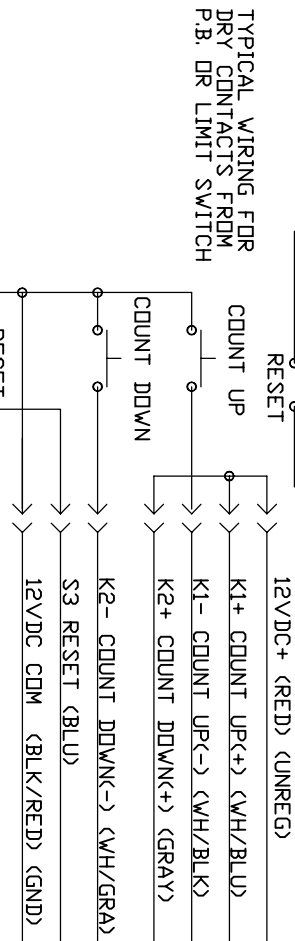
DISPLAYS ARE SHOWN WITH 120VAC POWER.

120 VAC

BLK 18 AWG. \_\_\_\_\_ LINE

WH 18 AWG. \_\_\_\_\_ NEUT

GRN/YEL 18 AWG. \_\_\_\_\_ GND

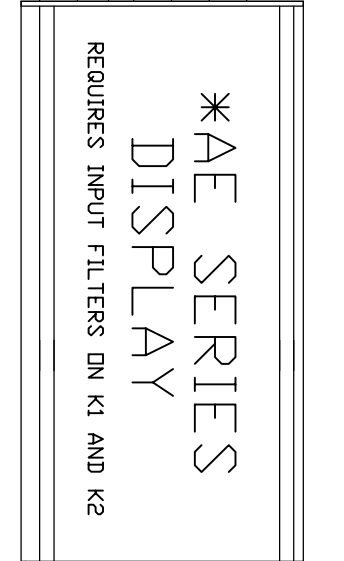
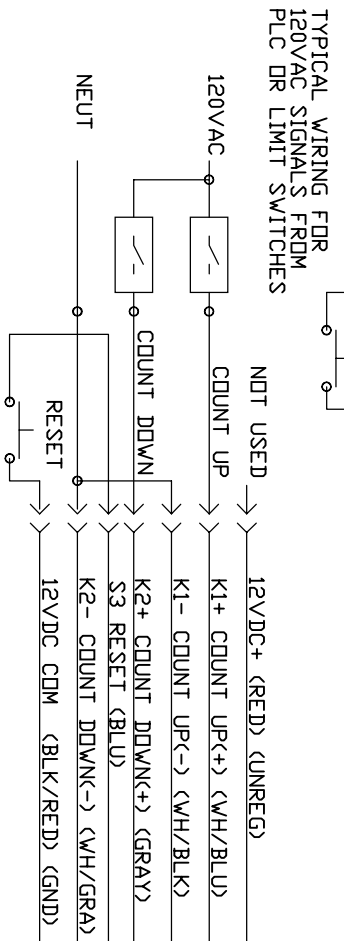


120 VAC

BLK 18 AWG. \_\_\_\_\_ LINE

WH 18 AWG. \_\_\_\_\_ NEUT

GRN/YEL 18 AWG. \_\_\_\_\_ GND



120 VAC

BLK 18 AWG. \_\_\_\_\_ LINE

WH 18 AWG. \_\_\_\_\_ NEUT

GRN/YEL 18 AWG. \_\_\_\_\_ GND

OPTIONAL POWER AVAILABLE

TYPICAL WIRING FOR 120VAC SIGNALS FROM PLC OR LIMIT SWITCHES

>> THIS SYMBOL IS USED FOR PIGTAIL LEAD WIRES OR TERMINAL BLOCKS

K1 AND K2 INPUTS ARE OPTD ISOLATED INPUTS. SIGNALS RANGING FROM 5VDC TO 120VAC CAN BE APPLIED.

MOST AE SERIES DISPLAYS ARE PROVIDED WITH #18 AWG, PIGTAIL LEAD WIRES FOR ALL EXTERNAL WIRING.

TERMINAL BLOCKS AND CONNECTORS ARE LOCATED INSIDE EACH AE SERIES DEVICE FOR OTHER WIRING OPTIONS.

\*\* WHEN THE OPTIONAL BUILT-IN RESET SWITCH IS ORDERED, IT WILL BE WIRED AS SHOWN. NOT RECOMMENDED FOR 120 VAC SIGNAL APPLICATIONS.

\*AE SERIES DISPLAY

REQUIRES INPUT FILTERS ON K1 AND K2

APPROVALS	DATE
DRAWN BY DTI	6-6-01
CHECKED BY	
APPROVED BY	
REVISED BY	

VCAD LTV\ATS DWGS\AE\OPTIONS\  
  
 P.O. BOX 5705  
 SHREVEPORT, LA  
 71135

PROJECT	SCALE
AEXX-483 UP/DOWN COUNTER / TOTALIZER	JOB #
TYPICAL WIRING SCHEMES	SHEET #
DESCRIPTION	REVISION
WIRING DIAGRAM	FILENAME: 483WD1
	DRAWING #
	8.5 x 11