

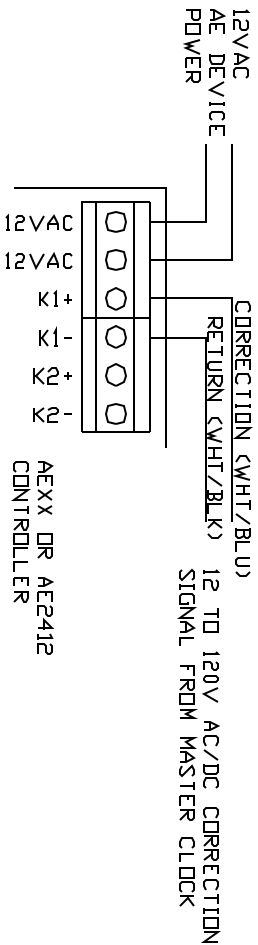
MODE 2: MODE SELECTOR SWITCH SET TO 2

EMULATES THESE CLOCKS:

CINCINNATI D10
 IBM 77 SERIES
 SIMPLEX 77 SERIES, 93-9, 91-1, 941-9, 943-9
 STRDMBERG 3000
 LATHEM TYPE SS WALL CLOCKS

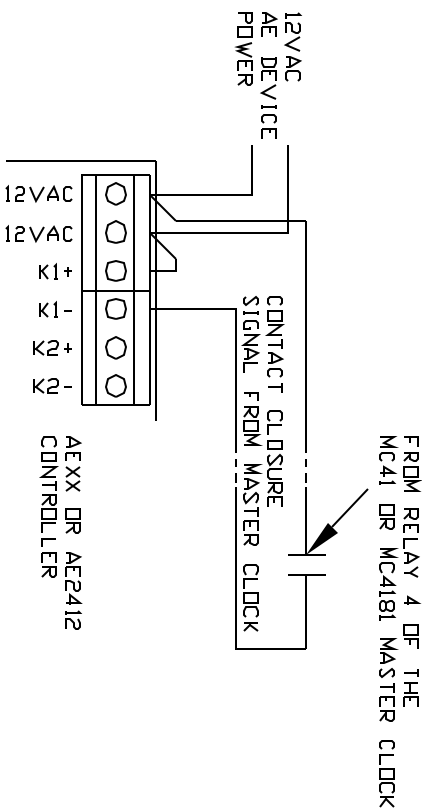
AE DEVICE POWER CAN BE 12VAC, OR 120VAC (50HZ OR 60HZ AS SPECIFIED ON ORDER)

STANDARD 2 WIRE HOOKUP. CORRECTION SIGNAL CAN BE 12V TO 120V AC OR DC
 SYSTEMS ORDERED FOR MODE 2 OPERATION ARE WIRED AS FOLLOWS:

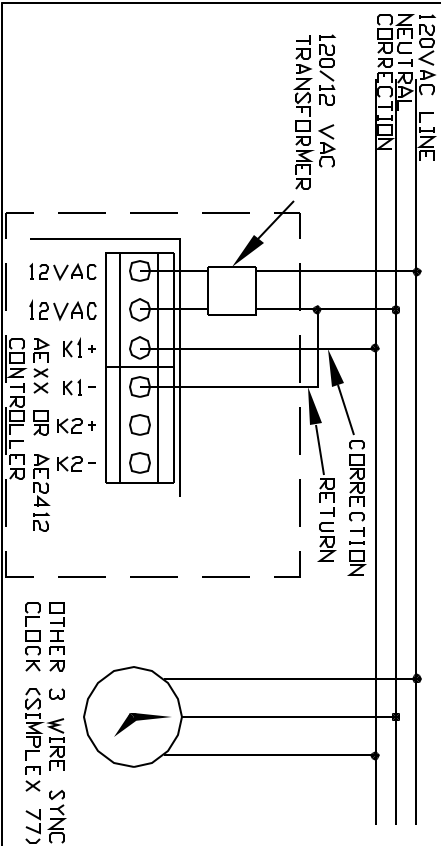


MODE 2: MODE SELECTOR SWITCH SET TO 2

ALTERNATE 2 WIRE HOOKUP - USE ONLY IF ALL SECONDARY DEVICES ARE AE SERIES DEVICES
 REQUIRES OPENING AE ENCLOSURE



MODE 2: MODE SELECTOR SWITCH SET TO 2
 TYPICAL 120 VOLT, 3 WIRE SYNCHRONOUS WIRING



NOTE: COLORS SHOWN ARE STANDARD COLOR CODE WHEN CONFIGURED FOR MODE 2 AT THE FACTORY.

VCAD LTVATS DWGS\AE\AEXX\



P.O. BOX 5705
 SHREVEPORT, LA
 71135

PRODUCT
 AE SERIES DISPLAY
 MODE 2 OPERATION

SCALE NTS

APPROVALS	DATE
DRAWN BY D11	7-18-01
CHECKED BY	
APPROVED BY	

DESCRIPTION	FILENAME
WIRING DIAGRAM	MODE2W/D1

DRAWING #

REVISION GB10/29/01

SHEET #

JOB #